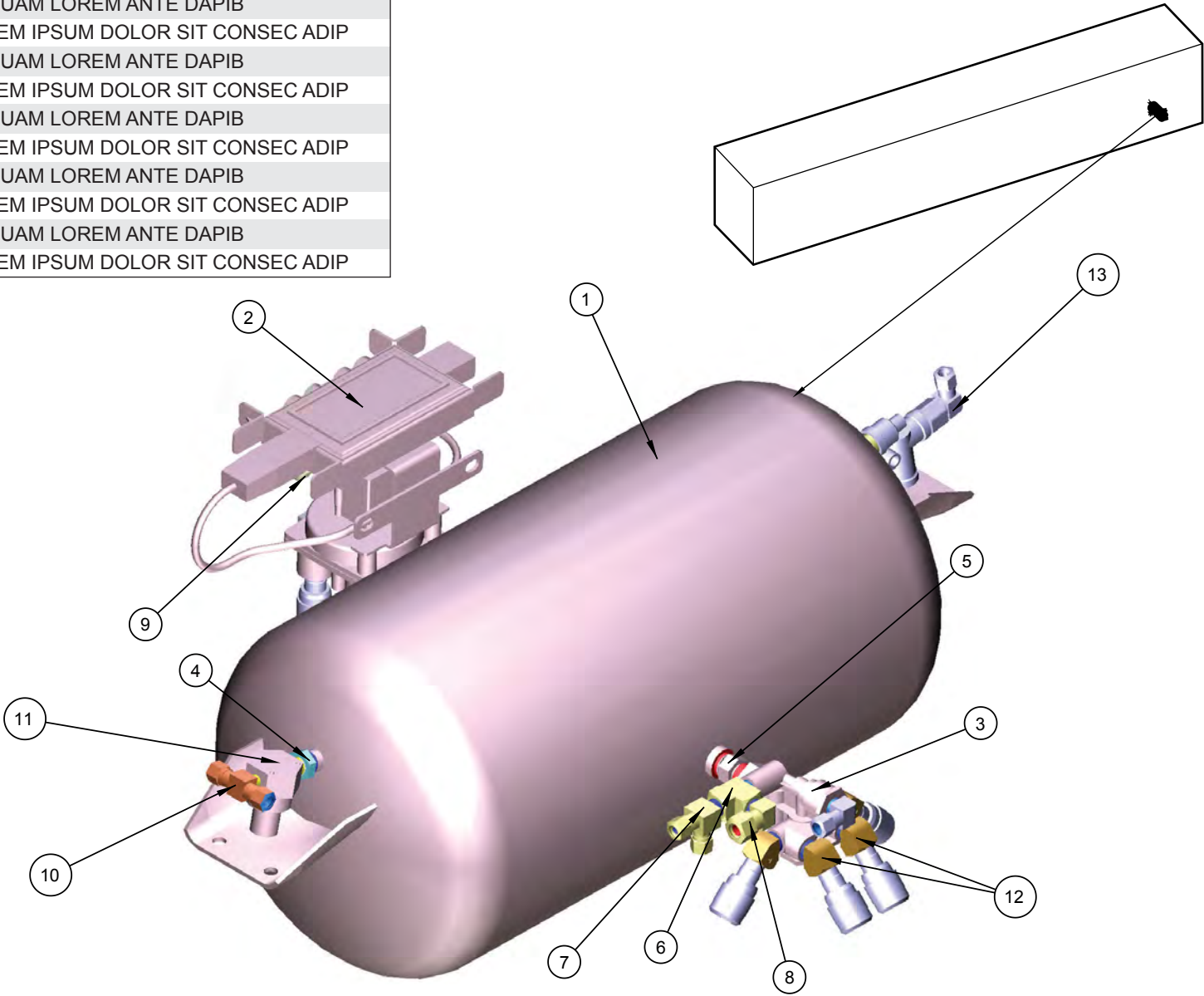


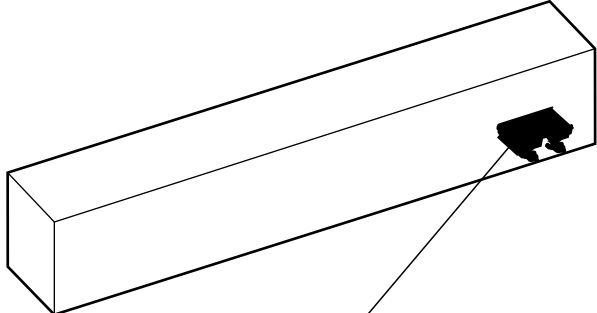
| ITEM | PART NUMBER | DESCRIPTION |
|------|-----------------|------------------------------------|
| 1 | DEF101210131014 | LOREM IPSUM DOLOR SIT CONSECR ADIP |
| 2 | ABC01212101 | ALIQUAM LOREM ANTE DAPIB |
| 3 | DEF101210131014 | LOREM IPSUM DOLOR SIT CONSECR ADIP |
| 4 | ABC01212101 | ALIQUAM LOREM ANTE DAPIB |
| 5 | DEF101210131014 | LOREM IPSUM DOLOR SIT CONSECR ADIP |
| 6 | ABC01212101 | ALIQUAM LOREM ANTE DAPIB |
| 7 | DEF101210131014 | LOREM IPSUM DOLOR SIT CONSECR ADIP |
| 8 | ABC01212101 | ALIQUAM LOREM ANTE DAPIB |
| 9 | DEF101210131014 | LOREM IPSUM DOLOR SIT CONSECR ADIP |
| 10 | ABC01212101 | ALIQUAM LOREM ANTE DAPIB |
| 11 | DEF101210131014 | LOREM IPSUM DOLOR SIT CONSECR ADIP |
| 12 | ABC01212101 | ALIQUAM LOREM ANTE DAPIB |
| 13 | DEF101210131014 | LOREM IPSUM DOLOR SIT CONSECR ADIP |

AIR BRAKE SYSTEM
Company Order# 123456789

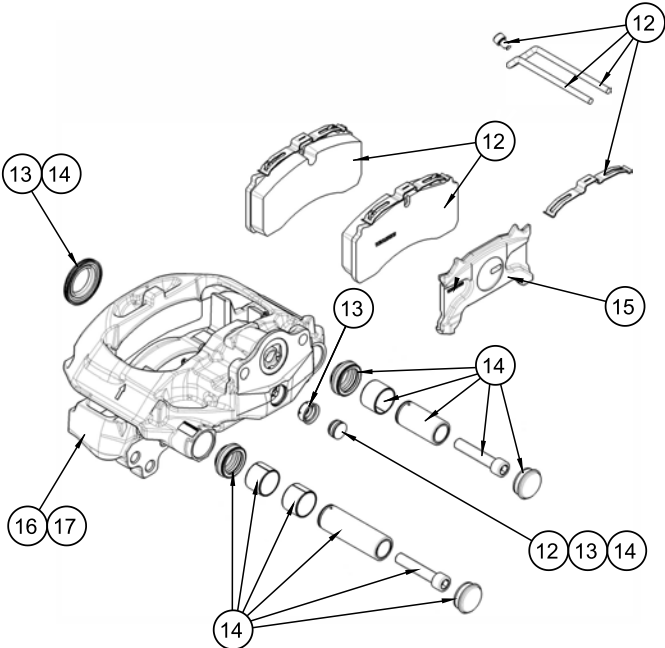
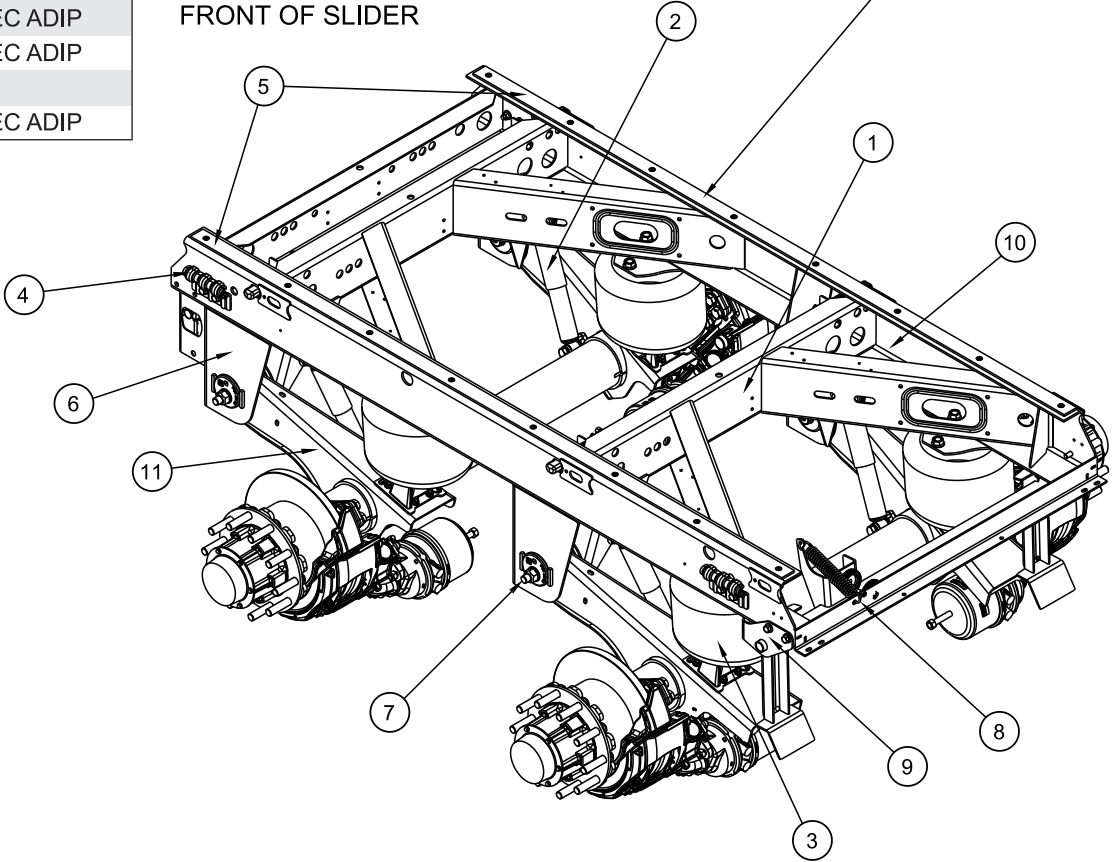


| ITEM | PART NUMBER | DESCRIPTION |
|------|-----------------|------------------------------------|
| 1 | DEF101210131014 | LOREM IPSUM DOLOR SIT CONSECR ADIP |
| 2 | ABC01212101 | ALIQUAM LOREM ANTE DAPIB |
| 3 | DEF101210131014 | LOREM IPSUM DOLOR SIT CONSECR ADIP |
| 4 | ABC01212101 | ALIQUAM LOREM ANTE DAPIB |
| 5 | DEF101210131014 | LOREM IPSUM DOLOR SIT CONSECR ADIP |
| 6 | ABC01212101 | ALIQUAM LOREM ANTE DAPIB |
| 7 | DEF101210131014 | LOREM IPSUM DOLOR SIT CONSECR ADIP |
| 8 | DEF101210131014 | LOREM IPSUM DOLOR SIT CONSECR ADIP |
| 9 | ABC01212101 | ALIQUAM LOREM ANTE DAPIB |
| 10 | DEF101210131014 | LOREM IPSUM DOLOR SIT CONSECR ADIP |
| 11 | ABC01212101 | ALIQUAM LOREM ANTE DAPIB |
| 12 | DEF101210131014 | LOREM IPSUM DOLOR SIT CONSECR ADIP |
| 13 | ABC01212101 | ALIQUAM LOREM ANTE DAPIB |
| 14 | DEF101210131014 | LOREM IPSUM DOLOR SIT CONSECR ADIP |
| 15 | DEF101210131014 | LOREM IPSUM DOLOR SIT CONSECR ADIP |
| 16 | ABC01212101 | ALIQUAM LOREM ANTE DAPIB |
| 17 | DEF101210131014 | LOREM IPSUM DOLOR SIT CONSECR ADIP |

BRAKE ASSEMBLY
Company Order# 123456789



FRONT OF SLIDER



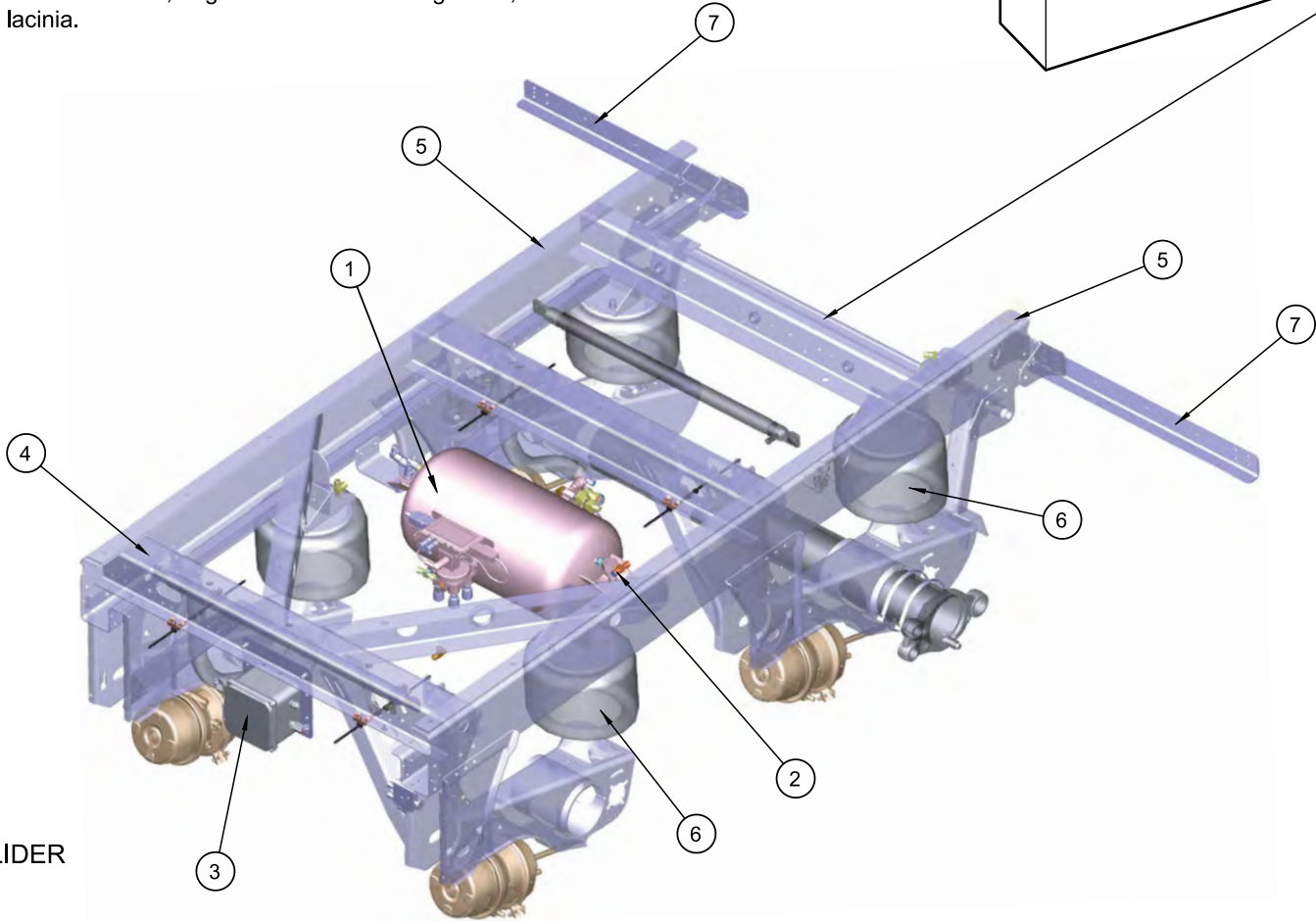
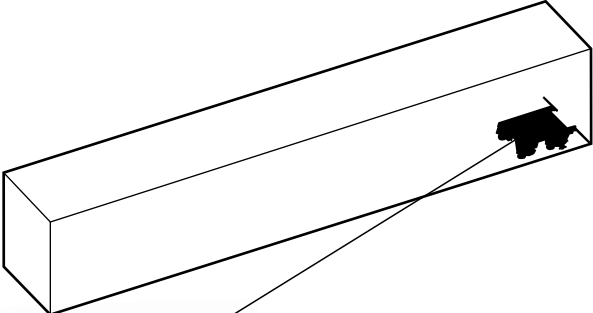
| ITEM | PART NUMBER | DESCRIPTION |
|------|-----------------|------------------------------------|
| 1 | DEF101210131014 | LOREM IPSUM DOLOR SIT CONSECT ADIP |
| 2 | ABC01212101 | ALIQUAM LOREM ANTE DAPIB |
| 3 | DEF101210131014 | LOREM IPSUM DOLOR SIT CONSECT ADIP |
| 4 | ABC01212101 | ALIQUAM LOREM ANTE DAPIB |
| 5 | DEF101210131014 | LOREM IPSUM DOLOR SIT CONSECT ADIP |
| 6* | ABC01212101 | ALIQUAM LOREM ANTE DAPIB |
| 7 | DEF101210131014 | LOREM IPSUM DOLOR SIT CONSECT ADIP |

SUBFRAME

Company Order# 123456789

*Lorem ipsum dolor sit amet, consectetur adipiscing elit. Aenean commodo ligula natoque penatibus et magnis dis montes.

Sed consequat, leo eget bibendum sodales, augue velit cursus nunc gravida, ac dui quis mi consectetur lacinia.



FRONT OF SLIDER

